



RACER - MODEL COMPARISON

RACER Classic, RACER, RACER II, RACER XL, RACER Special,
RACER R-Series, RACER R-Series Special

With the embroidery machines of the series

RACER

we set the world standard for tubular embroidery machines.
No matter whether you need tubular or cap operation, flat- or
border frame embroidery, all operating modes are available.

Comparison of
Technical Data

Comparison of
Functions and Features

RACER

BY ZSK STICKMASCHINEN GMBH

Tubular Arm

Number of
Needles / Colours

Devices / Attachments

Servo Features

RACER Classic

RACER

RACER II

RACER XL

RACER Special

RACER R-Series

RACER R-Series Special

Efficiency

Bobbin Changer

Catalog Frames

MACHINE	HEADS	NEEDLES	HEAD DISTANCE		EMBROIDERY FIELD DIMENSIONS [MM] / [INCH]				EMBROIDERY SPEED min-1 FLAT / TUBULAR / CAP	MACHINE DIMENSIONS [MM] / [INCH]			NET MASS [KG]		
			[MM] / [INCH]		WIDTH	DEPTH 500 19,7"	700 27,5"	BORDER FRAME		TUBULAR	CAP	LENGTH [MAX. / MIN]		DEPTH [MAX. / MIN]	HEIGHT [MAX. / MIN]
RACER CLASSIC															
RACER 4S Classic	4	12	400 15,7"	400 15,7"	✓	1.600 x 500 63" x 19,7"	405 x 300 15,9" x 11,8"	70 x 360 2,8"x 14,2"	1.000 / 1.100 / 1.000	2.580 / 2.470 101,6" / 97,2"	1.330 / 830 52,4" / 32,7"	1.720 / 1.490 67,7" / 58,7"	700		
RACER 6S Classic	6	12	400 15,7"	400 15,7"	✓	2.400 x 500 94,5" x 19,7"	405 x 300 15,9" x 11,8"	70 x 360 2,8"x 14,2"	1.000 / 1.100 / 1.000	3.380 / 3.270 133" / 128,7"	1.330 / 830 52,4" / 32,7"	1.720 / 1.490 67,7" / 58,7"	850		
RACER 8S Classic	8	12	400 15,7"	400 15,7"	✓	3.200 x 500 125,9" x 19,7"	405 x 300 15,9" x 11,8"	70 x 360 2,8"x 14,2"	1.000 / 1.100 / 1.000	4.360 / 4.250 171,6" / 167,3"	1.640 / 1.170 64,5" / 46,1"	1.680 / 1.430 66,1" / 56,3"	1.310		
RACER															
RACER 1W	1	12	-	500 19,7"	✓	500 x 500 19,7" x 19,7"	405 x 395 15,9" x 15,5"	70 x 360 2,8"x 14,2"	1.000 / 1.100 / 1.000	1.550 / 1.430 61,0" / 56,3"	1.330 / 830 52,4" / 32,7"	1.750 / 1.490 68,9" / 58,7"	400		
RACER 1WL	1	12	-	500 19,7"	✓	500 x 700 19,7" x 27,5"	405 x 395 15,9" x 15,5"	70 x 360 2,8"x 14,2"	1.000 / 1.100 / 1.000	1.550 / 1.430 61,0" / 56,3"	1.825 / 1.080 71,9" / 42,5"	1.750 / 1.490 68,9" / 58,7"	430		
RACER 2W	2	12	495 19,5"	495 19,5"	✓	990 x 500 38,9" x 19,7"	405 x 395 15,9" x 15,5"	70 x 360 2,8"x 14,2"	1.000 / 1.100 / 1.000	1.960 / 1.840 77,2" / 72,4"	1.330 / 830 52,4" / 32,7"	1.750 / 1.490 68,9" / 58,7"	490		
RACER 2WL	2	12	495 19,5"	495 19,5"	✓	990 x 700 38,9" x 27,5"	405 x 395 15,9" x 15,5"	70 x 360 2,8"x 14,2"	1.000 / 1.100 / 1.000	1.960 / 1.840 77,2" / 72,4"	1.825 / 1.080 71,9" / 42,5"	1.750 / 1.490 68,9" / 58,7"	550		
RACER 4S	4	12	400 15,7"	400 15,7"	✓	1.600 x 500 63" x 19,7"	405 x 300 15,9" x 11,8"	70 x 360 2,8"x 14,2"	1.000 / 1.100 / 1.000	2.580 / 2.470 101,6" / 97,2"	1.330 / 830 52,4" / 32,7"	1.720 / 1.490 67,7" / 58,7"	700		
RACER 4W	4	12	495 19,5"	495 19,5"	✓	1.980 x 500 77,9" x 19,7"	405 x 395 15,9" x 15,5"	70 x 360 2,8"x 14,2"	1.000 / 1.100 / 1.000	3.380 / 3.270 133" / 128,7"	1.330 / 830 52,4" / 32,7"	1.720 / 1.490 67,7" / 58,7"	850		
RACER 4WL	4	12	495 19,5"	495 19,5"	✓	1.980 x 700 77,9" x 27,5"	405 x 395 15,9" x 15,5"	70 x 360 2,8"x 14,2"	1.000 / 1.100 / 1.000	3.380 / 3.270 133" / 128,7"	1.840 / 1.080 72,4" / 42,5"	1.720 / 1.490 67,7" / 58,7"	920		
RACER 6S	6	12	400 15,7"	400 15,7"	✓	2.400 x 500 94,5" x 19,7"	405 x 300 15,9" x 11,8"	70 x 360 2,8"x 14,2"	1.000 / 1.100 / 1.000	3.380 / 3.270 133" / 128,7"	1.330 / 830 52,4" / 32,7"	1.720 / 1.490 67,7" / 58,7"	850		
RACER 6SL	6	12	400 15,7"	400 15,7"	✓	2.400 x 700 94,5" x 27,5"	405 x 300 15,9" x 11,8"	70 x 360 2,8"x 14,2"	1.000 / 1.100 / 1.000	3.380 / 3.270 133" / 128,7"	1.840 / 1.080 72,4" / 42,5"	1.720 / 1.490 67,7" / 58,7"	950		
RACER 6W	6	12	495 19,5"	495 19,5"	✓	2.970 x 500 116,9" x 19,7"	405 x 395 15,9" x 15,5"	70 x 360 2,8"x 14,2"	1.000 / 1.100 / 1.000	4.360 / 4.250 171,6" / 167,3"	1.640 / 1.170 64,5" / 46,1"	1.680 / 1.490 66,1" / 58,7"	1.260		
RACER 8S	8	12	400 15,7"	400 15,7"	✓	3.200 x 500 125,9" x 19,7"	405 x 300 15,9" x 11,8"	70 x 360 2,8"x 14,2"	1.000 / 1.100 / 1.000	4.360 / 4.250 171,6" / 167,3"	1.640 / 1.170 64,5" / 46,1"	1.680 / 1.430 66,1" / 56,3"	1.310		
RACER 12S	12	12	400 15,7"	400 15,7"	✓	-	405 x 300 15,9" x 11,8"	70 x 360 2,8"x 14,2"	- / 1.100 / 1.000	6.015 / 5.900 236,8" / 232,3"	1.150 45,3"	1.760 / 1.450 69,3" / 57,1"	2.250		

MACHINE	HEADS	NEEDLES	HEAD DISTANCE		EMBROIDERY FIELD DIMENSIONS [MM] / [INCH]				EMBROIDERY SPEED min-1 FLAT / TUBULAR / CAP	MACHINE DIMENSIONS [MM] / [INCH]			NET MASS [KG]
			[MM] / [INCH]	WIDTH	DEPTH	BORDER FRAME	TUBULAR	CAP		LENGTH [MAX. / MIN]	DEPTH [MAX. / MIN]	HEIGHT [MAX. / MIN]	
					500 19,7"	700 27,5"							
RACER II													
RACER 1WL II	1	18	-	500 19,7"	✓	500 x 700 19,7" x 27,5"	405 x 395 15,9" x 15,5"	70 x 360 2,8"x 14,2"	1.000 / 1.100 / 1.000	1.550 / 1.430 61,0" / 56,3"	1.825 / 1.080 71,9" / 42,5"	1.720 / 1.500 67,7" / 59,0"	
RACER 2W II	2	18	495 19,5"	495 19,5"	✓	990 x 500 38,9" x 19,7"	405 x 395 15,9" x 15,5"	70 x 360 2,8"x 14,2"	1.000 / 1.100 / 1.000	1.960 / 1.840 77,2" / 72,4"	1.330 / 830 52,4" / 32,7"	1.720 / 1.500 67,7" / 59,0"	
RACER 4W II	4	18	495 19,5"	495 19,5"	✓	1.980 x 500 77,9" x 19,7"	405 x 395 15,9" x 15,5"	70 x 360 2,8"x 14,2"	1.000 / 1.100 / 1.000	3.380 / 3.270 133" / 128,7"	1.330 / 830 52,4" / 32,7"	1.720 / 1.500 67,7" / 59,0"	850
RACER 4WL II	4	18	495 19,5"	495 19,5"	✓	1.980 x 700 77,9" x 27,5"	405 x 395 15,9" x 15,5"	70 x 360 2,8"x 14,2"	1.000 / 1.100 / 1.000	3.380 / 3.270 133" / 128,7"	1.840 / 1.080 72,4" / 42,5"	1.720 / 1.500 67,7" / 59,0"	920
RACER 6W II	6	18	495 19,5"	495 19,5"	✓	2.970 x 500 116,9" x 19,7"	405 x 395 15,9" x 15,5"	70 x 360 2,8"x 14,2"	1.000 / 1.100 / 1.000	4.360 / 4.250 171,6" / 167,3"	1.640 / 1.170 64,5" / 46,1"	1.720 / 1.500 67,7" / 59,0"	1.260
RACER 8WL II	8	18	495 19,5"	495 19,5"	✓	3.960 x 700 155,9" x 27,5"	405 x 395 15,9" x 15,5"	70 x 360 2,8"x 14,2"	1.000 / 1.100 / 1.000	6.015 / 5.900 236,8" / 232,3"	2.050 / 1.350 80,7" / 53,1"	1.760 / 1.450 69,3" / 57,1"	
RACER XL													
RACER 1XL	1	24	-	700 27,5"	✓	700 x 700 27,5" x 27,5"	-	-	1.000 / - / -	1.960 / 1.850 77,2" / 72,8"	1.825 / 1.080 71,8" / 42,5"	1.790 / 1.490 70,5" / 58,7"	505
RACER 2XL	2	24	700 27,5"	700 27,5"	✓	1.400 x 700 55,1" x 27,5"	-	-	1.000 / - / -	2.580 / 2.470 101,6" / 97,2"	1.840 72,4"	1.760 / 1.490 69,3" / 58,7"	792
RACER Special													
RACER 0124-1000	1	24	-	1000 39,4"	✓	1000 x 700 39,4" x 27,5"	-	-	1.000 / - / -	2.580 / 2.470 101,6" / 97,2"	1.840 / 1.080 72,4" / 42,5"	1.790 / 1.490 70,5" / 58,7"	400
RACER 0218-550D	2	18	550 21,7"	550 21,7"	✓	1100 x 700 43,4" x 27,5"	-	-	1.000 / - / -	3.380 / 3.270 133" / 128,7"	1.840 72,4"	1.760 / 1.490 69,3" / 58,7"	430
RACER 0224-700D	2	24	700 27,5"	700 27,5"	✓	1400 x 700 55,1" x 27,5"	-	-	1.000 / - / -	3.380 / 3.270 133" / 128,7"	1.840 72,4"	1.760 / 1.490 69,3" / 58,7"	490
RACER H0118-495	1+1	18+6	495 19,5"	495 19,5"	✓	495 x 500 19,5" x 19,7"	250 x 395 9,8 x 15,5"	70 x 360 2,8"x 14,2"	F: 1.000; K: 700 / F: 1.100 / F: 1.000	1.960 / 1.850 77,2" / 72,8"	1.330 / 960 52,4" / 37,8"	1.640 / 1.500 64,5" / 59,0"	550
RACER H0309-550	3+3	9+12	550 21,7"	550 21,7"	✓	550 x 700 21,7" x 27,5"	-	-	F: 1.000; K: 700 / - / -	3.380 / 3.270 133" / 128,7"	1.840 / 1.230 72,4" / 48,4"	1.650 / 1.490 64,9" / 58,7"	700
RACER K0200-495	2	6	495 19,5"	495 19,5"	✓	990 x 500 38,9" x 19,7"	-	-	700 / - / -	1.960 / 1.850 77,2" / 72,8"	1.840 / 1.230 72,4" / 48,4"	1.360 53,5"	460
RACER Z0118-495	1+1	16+2	495 19,5"	495 19,5"	✓	495 x 500 19,5" x 19,7"	250 x 395 9,8 x 15,5"	70 x 360 2,8"x 14,2"	F: 1.000; W: 850 / F: 1.100 / F: 1.000	1.960 / 1.850 77,2" / 72,8"	1.330 / 960 52,4" / 37,8"	1.640 / 1.500 64,5" / 59,0"	550

MACHINE	HEADS	NEEDLES	HEAD DISTANCE [MM] / [INCH]	WIDTH	EMBROIDERY FIELD DIMENSIONS [MM] / [INCH]			EMBROIDERY SPEED min-1 FLAT / TUBULAR / CAP	MACHINE DIMENSIONS [MM] / [INCH]			NET MASS [KG]	
					DEPTH	BORDER FRAME	TUBULAR		LENGTH [MAX. / MIN]	DEPTH [MAX. / MIN]	HEIGHT [MAX. / MIN]		
					500 19,7"	700 27,5"							
RACER R-Series													
RACER R1 W	1	18	495 19,5"	495 19,5"	✓	500 x 500 19,7" x 19,7"	405 x 395 15,9" x 15,5"	70 x 360 2,8"x 14,2"	n.s. /2.020 / n.s.	1.550 / 1.460 61,0" / 57,5"	1.360 / 850 53,4" / 33,5"	1.640 / 1.500 64,6" / 59,1"	650
RACER R4 W	4	18	495 19,5"	495 19,5"	✓	1.980 x 500 77,9" x 19,7"	405 x 395 15,9" x 15,5"	70 x 360 2,8"x 14,2"	n.s. /2.020 / n.s.	3.380 / 3.270 133" / 128,7"	1.360 / 850 53,4" / 33,5"	1.640 / 1.500 64,6" / 59,1"	1.300
RACER R-Series Special													
RACER R0218-700D	2	18	700 27,5"	700 27,5"	✓	1400 x 700 55,1" x 27,5"	-	-	1.000 /- / -	3.550 / 3.270 139,8" / 128,7"	1.815 71,5"	1.760 / 1.490 69,3" / 58,7"	

	RACER CLASSIC			RACER												RACER II						RACER XL		RACER Special					
	4S	6S	8S	1W	1WL	2W	2WL	4S	4W	4WL	6S	6SL	6W	8S	12S	1WL II	2W II	4W II	4WL II	6W II	8WL II	1XL	2XL	0124-1000	0218-550D	0224-700D	H 0118-495	H 0309-550	
Fast Colour Change (Efficiency)								✓	✓	✓	✓	✓	✓	✓	✓	✓	✓	✓	✓	✓	✓	✓						✓	✓
Fast Catcher (Efficiency)				✓	✓	✓	✓	✓	✓	✓	✓	✓	✓	✓	✓	✓	✓	✓	✓	✓	✓	✓	✓	✓	✓	✓	✓	✓	✓
Slim Tubular Arm (Flexible)				✓	✓	✓	✓	✓	✓	✓	✓	✓	✓	✓	✓	✓	✓	✓	✓	✓	✓	✓	✓	✓				✓	
Improved Thread Tension (Quality)																✓	✓	✓	✓	✓	✓						✓		
Thread Break Detection (Efficiency)	✓	✓	✓	✓	✓	✓	✓	✓	✓	✓	✓	✓	✓	✓	✓	✓	✓	✓	✓	✓	✓	✓	✓	✓	✓	✓	✓	✓	✓
Height Adjustable Presser Foot (Quality)	✓	✓	✓	✓	✓	✓	✓	✓	✓	✓	✓	✓	✓	✓	✓	✓	✓	✓	✓	✓	✓	✓	✓	✓	✓	✓	✓	✓	✓
Extra strong Springs (Flexible)				opt.	opt.	opt.	opt.	opt.	opt.	opt.	opt.	opt.	opt.	opt.	opt.	opt.	opt.	opt.	opt.	opt.	opt.	opt.	✓	✓	opt.	opt.	opt.	opt.	opt.
Bobbin Changer (Efficiency)									opt.		opt.											opt.	opt.	opt.	✓	✓			
Network Capability (Efficiency)	✓	✓	✓	✓	✓	✓	✓	✓	✓	✓	✓	✓	✓	✓	✓	✓	✓	✓	✓	✓	✓	✓	✓	✓	✓	✓	✓	✓	✓
Servo Motors (Efficiency)				✓	✓	✓	✓	✓	✓	✓	✓	✓	✓	✓	✓	✓	✓	✓	✓	✓	✓	✓	✓	✓	✓	✓	✓	✓	✓
Adjustable Frame Limit (Efficiency)				✓	✓	✓	✓	✓	✓	✓	✓	✓	✓	✓	✓	✓	✓	✓	✓	✓	✓	✓	✓	✓	✓	✓	✓	✓	✓
XLarge Embroidery Field (Flexible)																						✓	✓	✓					
Head Selection (Usability / Efficiency)						✓	✓	✓	✓	✓	✓	✓	✓	✓	✓		✓	✓	✓	✓	✓	✓		✓		✓	✓	✓	
Monitoring Pantograph Movement (Usability)				✓	✓	✓	✓	✓	✓	✓	✓	✓	✓	✓	✓	✓	✓	✓	✓	✓	✓	✓	✓	✓	✓	✓	✓	✓	✓
Pattern Rotation in the Machine (Usability)				✓	✓	✓	✓	✓	✓	✓	✓	✓	✓	✓	✓	✓	✓	✓	✓	✓	✓	✓	✓	✓	✓	✓	✓	✓	✓
Home Function (Return to Centre) (Usability)				✓	✓	✓	✓	✓	✓	✓	✓	✓	✓	✓	✓	✓	✓	✓	✓	✓	✓	✓	✓	✓	✓	✓	✓	✓	✓
Save of Design Starting Point (Usability)				✓	✓	✓	✓	✓	✓	✓	✓	✓	✓	✓	✓	✓	✓	✓	✓	✓	✓	✓	✓	✓	✓	✓	✓	✓	✓
Spiral Hoses (Quality)	✓	✓	✓	✓	✓	✓	✓	✓	✓	✓	✓	✓	✓	✓	✓												✓		
Connection of Additional Devices (Flexible)	✓	✓	✓	✓	✓	✓	✓	✓	✓	✓	✓	✓	✓	✓	✓	✓	✓	✓	✓	✓	✓	✓	✓	✓	✓	✓	✓	✓	✓
Sewing Thread Setup (Flexible)				opt.	opt.	opt.	opt.	opt.	opt.	opt.	opt.	opt.	opt.	opt.	opt.	opt.	opt.	opt.	opt.	opt.	opt.	opt.	✓	✓	✓	✓	✓		
Made in Germany (Quality)	CZ	CZ	CZ	✓	✓	✓	✓	✓	✓	✓	✓	✓	✓	✓	✓	✓	✓	✓	✓	✓	✓	✓	✓	✓	✓	✓	✓	✓	✓

*The optional (opt.) bobbin changer means an omission of the slim tubular arm and an omission of the tubular and cap embroidery.

		RACER R-Series		RACER R-Series Special
		R1 W	R4 W	R0218-700D
Fast Colour Change	(Efficiency)	✓	✓	✓
Fast Catcher	(Efficiency)	✓	✓	✓
Slim Tubular Arm	(Flexible)	✓	✓	
Improved Thread Tension	(Quality)	✓	✓	✓
Thread Break Detection	(Efficiency)	✓	✓	✓
Height Adjustable Presser Foot	(Quality)	✓	✓	✓
Extra strong Springs	(Flexible)	opt.	opt.	✓
Bobbin Changer	(Efficiency)			✓
Network Capability	(Efficiency)	✓	✓	✓
Servo Motors	(Efficiency)	✓	✓	✓
Adjustable Frame Limit	(Efficiency)	✓	✓	✓
XLarge Embroidery Field	(Flexible)			✓
Head Selection	(Usability / Efficiency)		✓	✓
Monitoring Pantograph Movement	(Usability)	✓	✓	✓
Pattern Rotation in the Machine	(Usability)	✓	✓	✓
Home Function (Return to Centre)	(Usability)	✓	✓	✓
Save of Design Starting Point	(Usability)	✓	✓	✓
(Spiral) Hoses	(Quality)	✓	✓	✓
Connection of Additional Devices	(Flexible)			
Sewing Thread Setup	(Flexible)			
Made in Germany	(Quality)	✓	✓	

*The optional (opt.) bobbin changer means an omission of the slim tubular arm and an omission of the tubular and cap embroidery.



RACER 4S CLASSIC



RACER 6S CLASSIC



RACER 8S CLASSIC

RACER Classic

RACER 4S Classic

RACER 6S Classic

RACER 8S Classic

RACER Classic machines

The RACER Classic models are solid and durable embroidery machines with high embroidery quality. While the more affordable Classic models may have some limitations in terms of efficiency, they still offer excellent value.



RACER 1W | Racer 1WL



RACER 2W | Racer 2WL



RACER 4S | Racer 4W | RACER 4WL



RACER 6S | Racer 6SL | RACER 6W



RACER 8S



RACER 12S

RACER	
RACER 1W	RACER 4WL
RACER 1WL	RACER 6S
RACER 2W	RACER 6SL
RACER 2WL	RACER 6W
RACER 4S	RACER 8S
RACER 4W	RACER 12S

RACER machines

The RACER machines are very solid and durable embroidery machines. Each machine in our collection is built to last and produces impressive embroidery results. With a range of models to choose from, there's always a perfect machine for your specific embroidery needs.

Plus, our RACER series comes equipped with a variety of advanced features designed to boost efficiency, such as [increased embroidery speed](#) and powerful servo motors that enable a range of [helpful functions](#).



RACER 1WL II



RACER 2W II



RACER 4W II | RACER 4WL II



RACER 6W II



RACER 8WL II

RACER II

- RACER 1WL II
- RACER 2W II
- RACER 4W II
- RACER 4WL II
- RACER 6W II
- RACER 8WII

RACER II machines

RACER II machines offer superior embroidery quality and a robust and durable build. With 18 needles/colours per head, they provide a wider range of colours without need for cone changes.

The RACER II machines are also equipped with advanced efficiency-enhancing features, such as [increased embroidery speed](#) and powerful servo motors, which enable a range of [helpful functions](#).



RACER 1XL • 1 HEAD • 24 NEEDLES



RACER 2XL • 2 HEAD • 24 NEEDLES

RACER XL

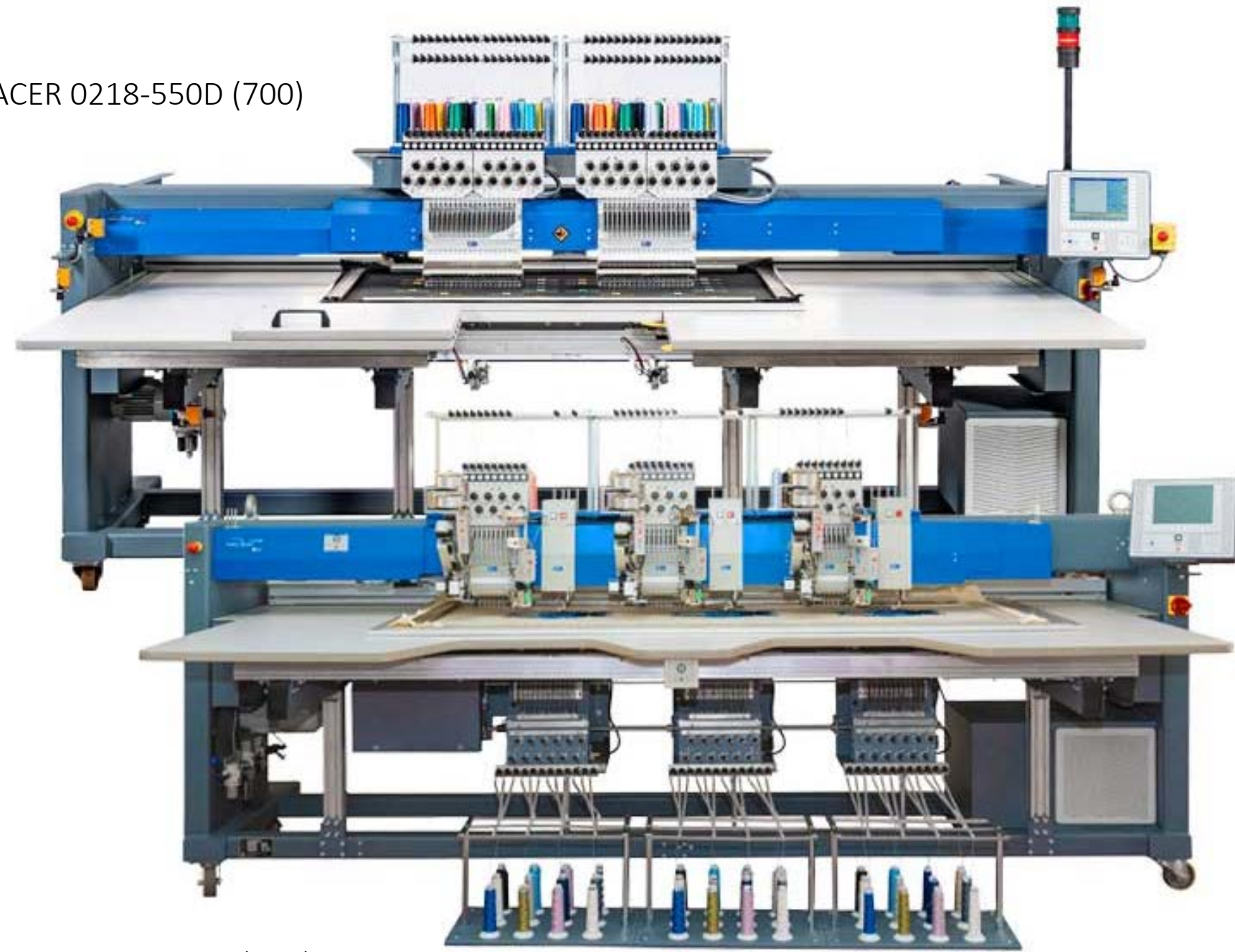
RACER 1XL

RACER 2XL

RACER XL machines

The RACER XL models have the same impressive features as the RACER and RACER II models. Featuring 24 needles per head, they provide a wider range of colours, eliminating the need for constant cone changes. Additionally the RACER XL machines are also distinguished by their namesake extra large embroidery fields.

RACER 0218-550D (700)



RACER H 0309-550 (700)



RACER K 0200-495 (500)

RACER Special

- RACER 0124-1000 (700)
- RACER 0218-550D (700)
- RACER 0224-700D (700)
- RACER H 0118-495 (500)
- RACER H 0309-550 (700)
- RACER K 0200-495 (500)
- RACER Z 0118-495 (500)



RACER 0124-1000 (700)



RACER H 0118-495 (500)



RACER Z 0118-495 (500)

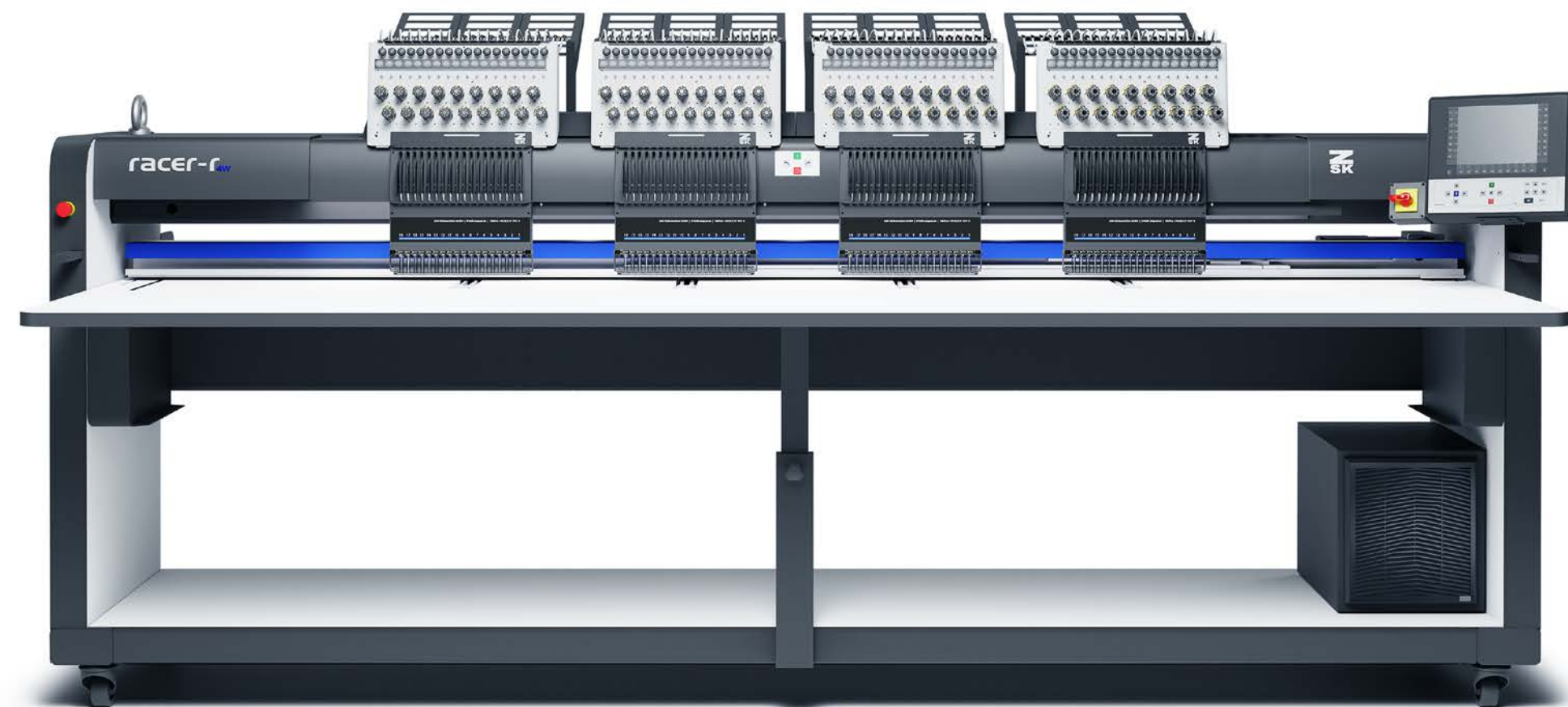
RACER Special machines

Unmatched versatility with the RACER series, which includes additional models with special embroidery field dimensions, double travel, or a combination of F- and K-heads.

These models maintain the usual RACER quality and advantages while providing a high degree of flexibility, making them the perfect solution for even the most unique embroidery projects.



RACER R1 W



RACER R4 W

RACER R-Series

RACER R W
RACER R4 W

RACER R-Series machines

The R-Series with its R-Head features first and second-order mass balancing, minimizing torque and vibrations for precise needle and hook interaction. This enables optimized embroidery quality, high-speed embroidery at 2.020 rpm and results in significant noise reduction.

Additional features:

- Ergonomically accessible thread stand
- Machine status indicator light as standard
- Optimized access for easy and fast maintenance.



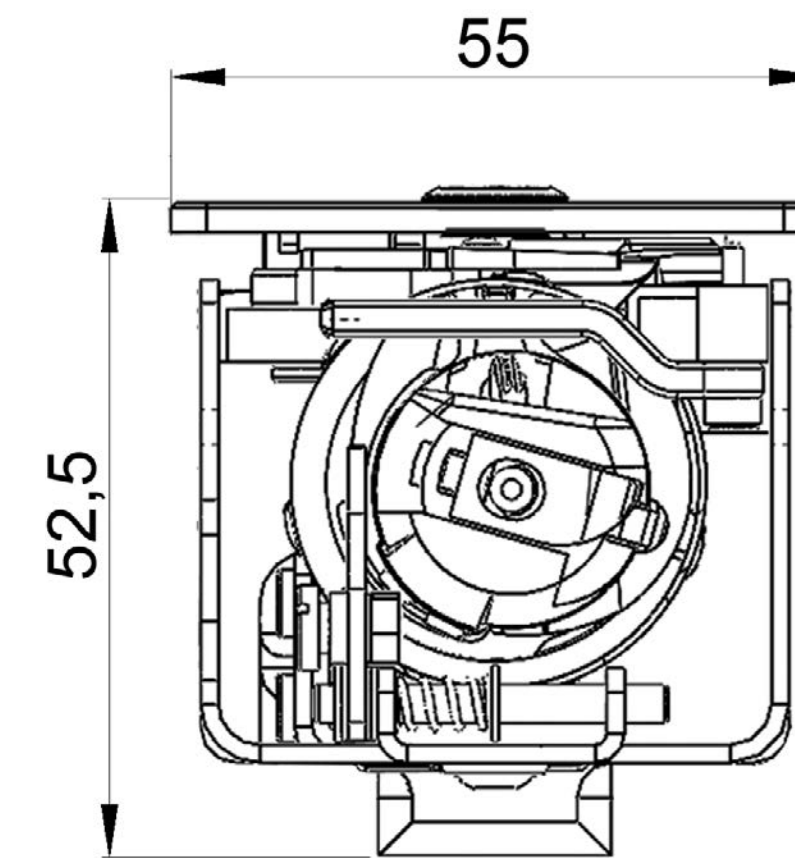
RACER R0218-700D (700)

RACER R-Series Special

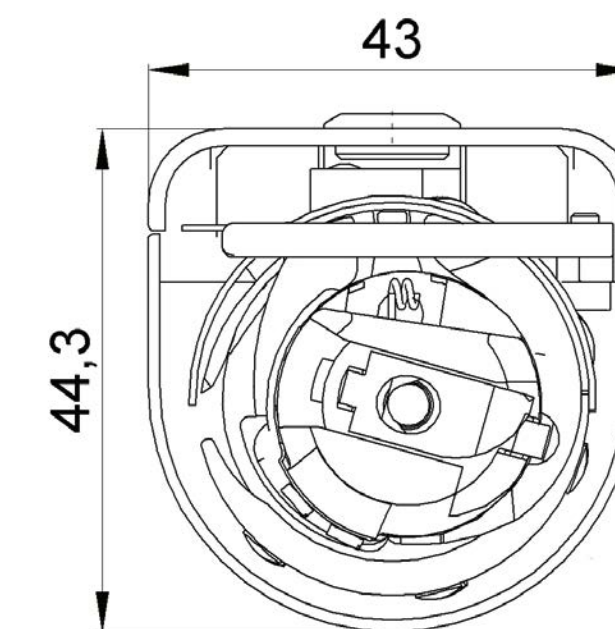
RACER R0218-700D (700)

RACER R-Series Special machines

The benefits of our RACER Special machines are complemented by the advantages of the R-Head. In the case of the RACER R0218-700D, a 700 mm head spacing, there is a double travel distance, a range of safety features, an OPS2 camera system, as well as an ergonomic T8 and laptop mount.



RACER Classic, RACER XL

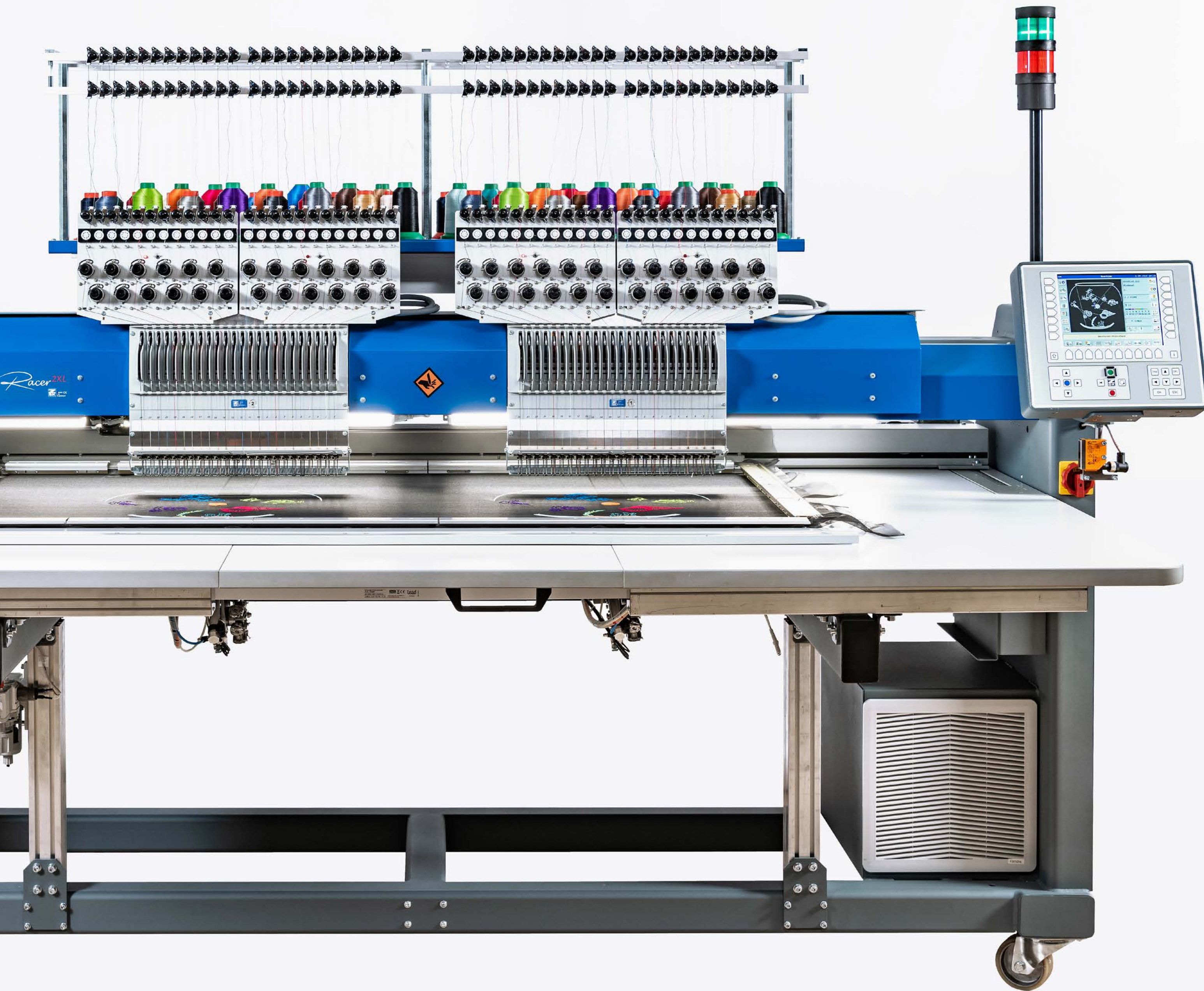


RACER, RACER II, RACER R-Series

Tubular Arm

ZSK offers machines with the slimmest tubular arm in the industry. This tubular arm is installed on all RACER, RACER II und RACER R-Series models.

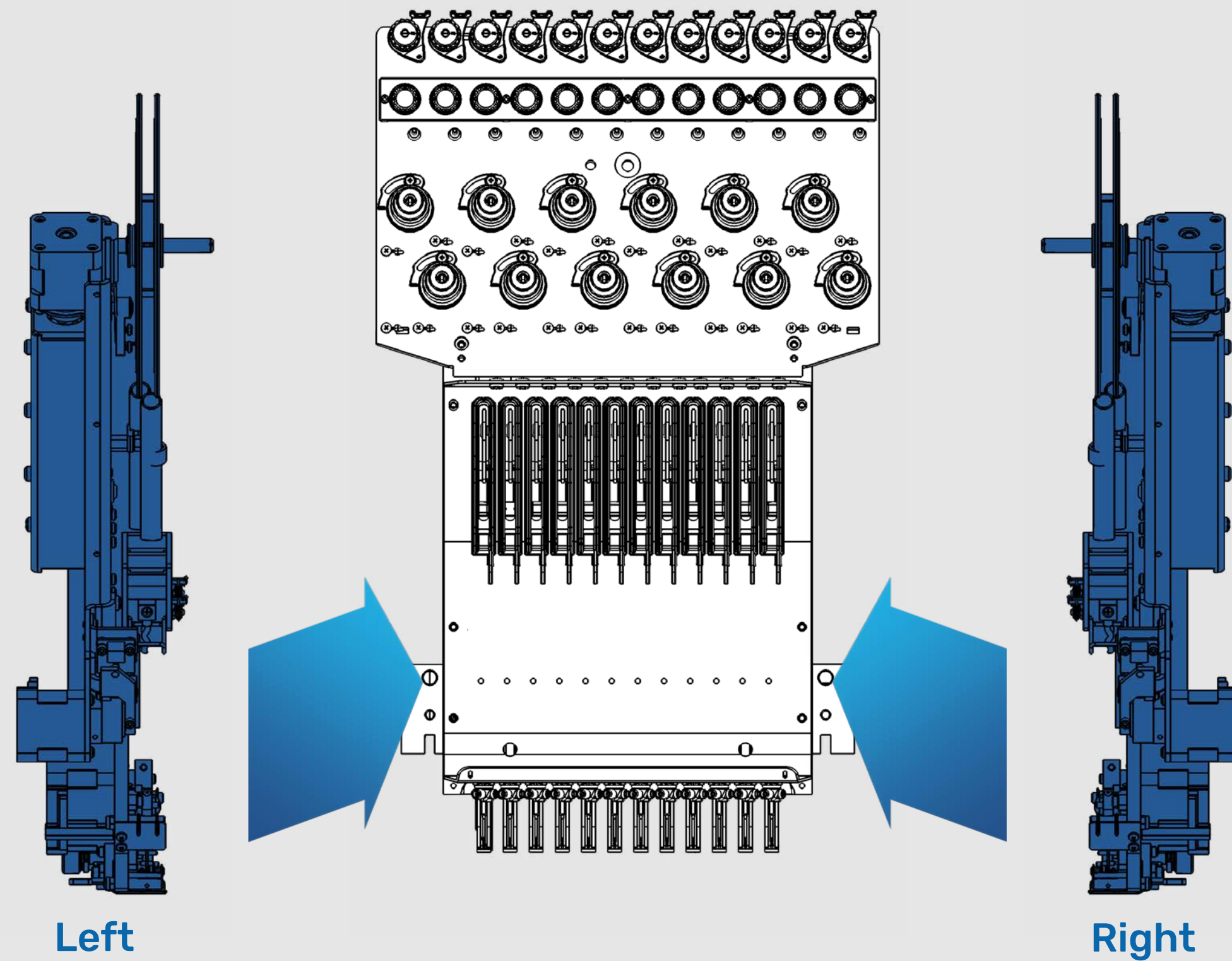
Benefit - Embroidery in Shirt Pockets and shoes possible.



up to **24**
needles / colours

Needles / Colours

Depending on the model, ZSK offers up to 24 needles/colours per head. This reduces the time required for changing yarn cones.

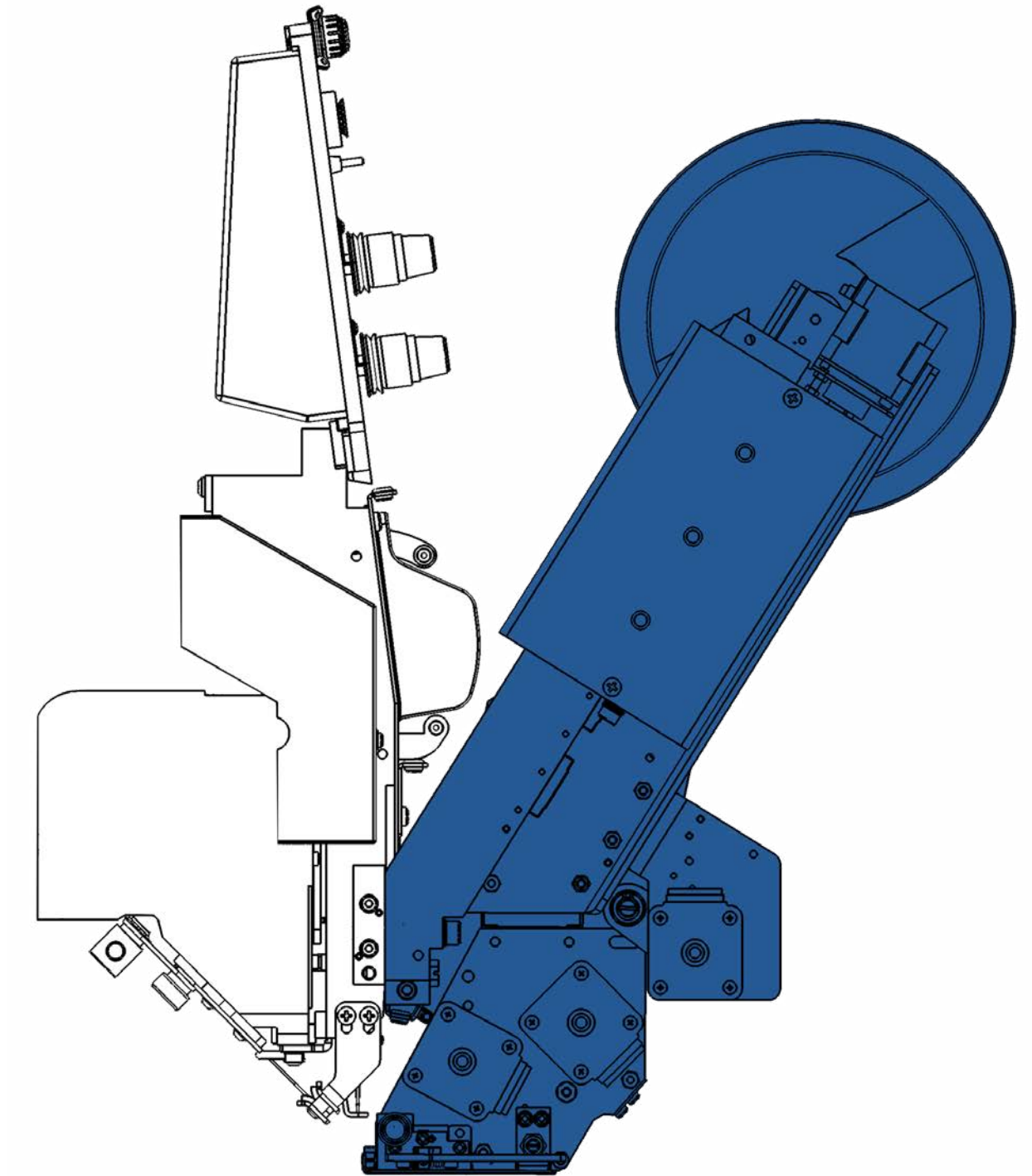


Left

Right

- Sequin device V6 | V9 | T7
- Single Bead device
- Twin Bead device

- Cording device EP-1.2.
- Cord / Loop device
- LED Sequin device



Devices / Attachments

To each side of the embroidery head one device can be attached. There is a wide range of options to modularly equip the machine.

The attachments can be installed on all RACER models.



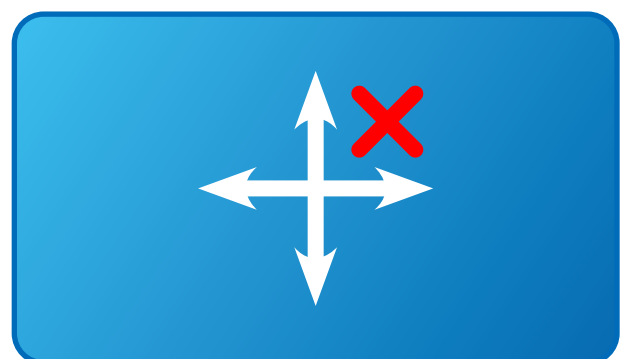
Loading design with starting point



Turning design on the T8



Loading frame with field limitation



Avoiding displacement when continuing embroidery

Servo Features

Except for RACER Classic models, all the models, are equipped with servo motors that offer a number of efficient features.

Loading Design without Design Tracing

When loading a design, design tracing can be omitted using the saved starting point and field limitation.

Colour Change

Conventional Colour Change (Needle 1-12):

6,1sec

ZSK Fast Colour Change (Needle 1-12):

2,1sec

-65%

Catcher

Conventional Catcher:

1,7sec

ZSK Fast Catcher:

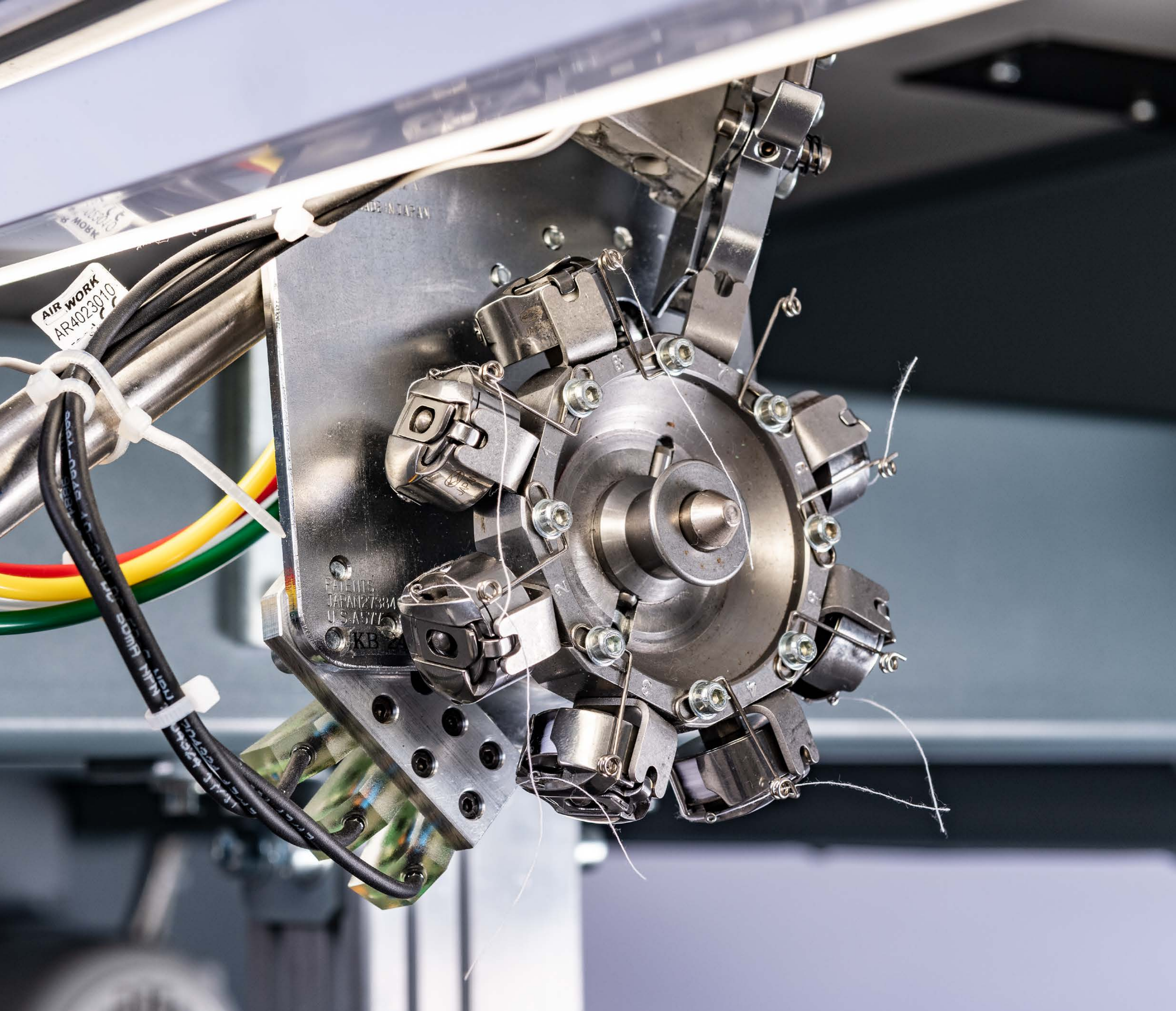
1,2sec

-30%



Efficiency

ZSK continuously optimizes the efficiency of the machines. Impressive examples are the fast colour change, the reduced catcher times and the increased speed in relation to the stitch length.



15%

increase in up-time

Bobbin Changer

The automatic bobbin changer has a magazine for 8 bobbins.

In the T8-2 control unit you can set marker when bobbin changes should take place automatically.

This setup increases the up-time of the machine by approx. 15%. In a two-shift operation, this means two hours of additional production time per day.



ZSK Stickmaschinen GmbH
Magdeburger Str. 38-40
47800 Krefeld

Fon: +49 (0) 2151 444 0
Fax: +49 (0) 2151 444 170
E-Mail: zsk@zsk.de

